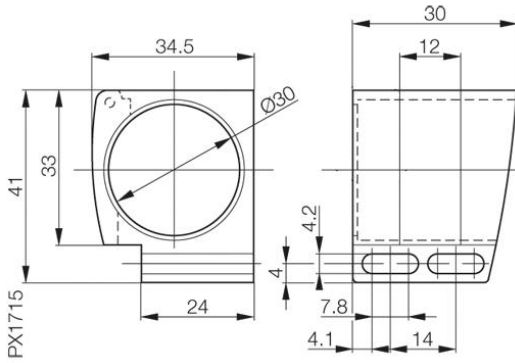


Accessories: Mounting unit BES 30.0-KB-5-F



Common Data

Version
Usable with

Clamp
clamp with positive stop for
sensors M30mm, locking
mechanism

Mechanical Data

Measurements WxHxD or Dia x D
Material
Mounting

41x35x34.5
Plastic PC
with 2 screws M4x20

Datasheet number::

Definitions see general catalog.
If not otherwise noted, ratings according to
IEC 60947-5-2 (DIN EN60947-5-2)

Balluff GmbH
Schurwaldstrasse 9
73765 Neuhausen a.d.F.
Phone (07158) 173-0 Fax (07158) 5010

Datenblatt by CD-ROM - 04/2007

BALLUFF
sensors worldwide